



# EVERFOCUS

## 1/3" 560 TVL Color Mini Dome Camera Operation Instructions

Model No. **ED350**

Please read this manual first for correct installation and operation. This manual should be retained for future reference. The information in this manual was current when published. The manufacturer reserves the right to revise and improve its products. All specifications are therefore subject to change without notice.

### **PRECAUTIONS**

**1. Do not install the camera near electric or magnetic fields.**

Install the camera away from TV, radio transmitter, magnet, electric motor, transformer, audio speakers since the magnetic fields generate from above devices will distort the video images.

**2. Never disassemble the camera nor put impurities in it.**

Disassembly or impurities may result in trouble or fire.

**3. Never face the camera toward the sun.**

Direct sunlight or severe ray may cause fatal damage to sensor and internal circuit.

**4. Keep the power cord away from water and liquid.**

Touching the wet power cord may result in electric shock.

**5. Never install the camera in areas exposed to water, oil or gas.**

Water, oil or gas may result in failure, electric shock or fire.

## **6. Cleaning**

Do not touch the surface of sensor by hand directly. Use a soft cloth to remove the dirt from the camera body. Use lens tissue or a cotton swab and ethanol to clean the sensor and the camera lens.

## **7. Do not operate the camera beyond the specified temperature, humidity or power source ratings.**

Use the camera at temperatures within 0°C ~ 40°C (32°F to 104°F) and humidity between 20%~ 80%. The input power source is 12VDC/24VAC.

## **PREFACE**

The High Resolution Dome Camera Series are compact, full functioned CCD Color Cameras. Their stylish appearance can be applied as per installer's ideal locations on the ceiling. The dome camera designed with advanced digital processing circuitry for high resolution 1/3" color interline transfer CCD sensor, it has DIP switch for AGC on/off, BLC on/off. The dome camera uses a vari focal auto iris lens for discreet surveillance or close-up viewing and it features with iris LEVEL volume control for the best viewing quality.

## **FEATURES**

- 1/3" Sony super HAD CCD image sensor with approximately 410,000 pixels.
- 560 TVL of horizontal resolution.
- Revolutionary integrated 10-bit Digital Signal Processor (DSP) delivers sharp color images and excellent picture quality.
- Low light sensitivity 0.5 lux/F=1.2.
- Wide-range automatic electronic shutter: up to 1/100,000.
- Manual zoom lens with adjustable viewing range.
- Pure Vision Technology.

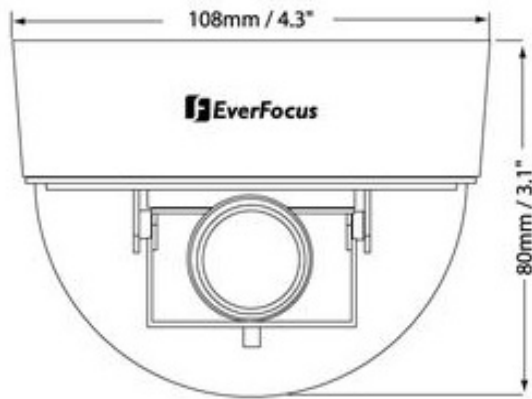
## **PACKAGE CONTENTS**

- Camera Unit x 1
- AV Cable x 1
- Power Cable x 1
- Desiccant x 1
- Mount Screws (package) x 1
- Manual x 1

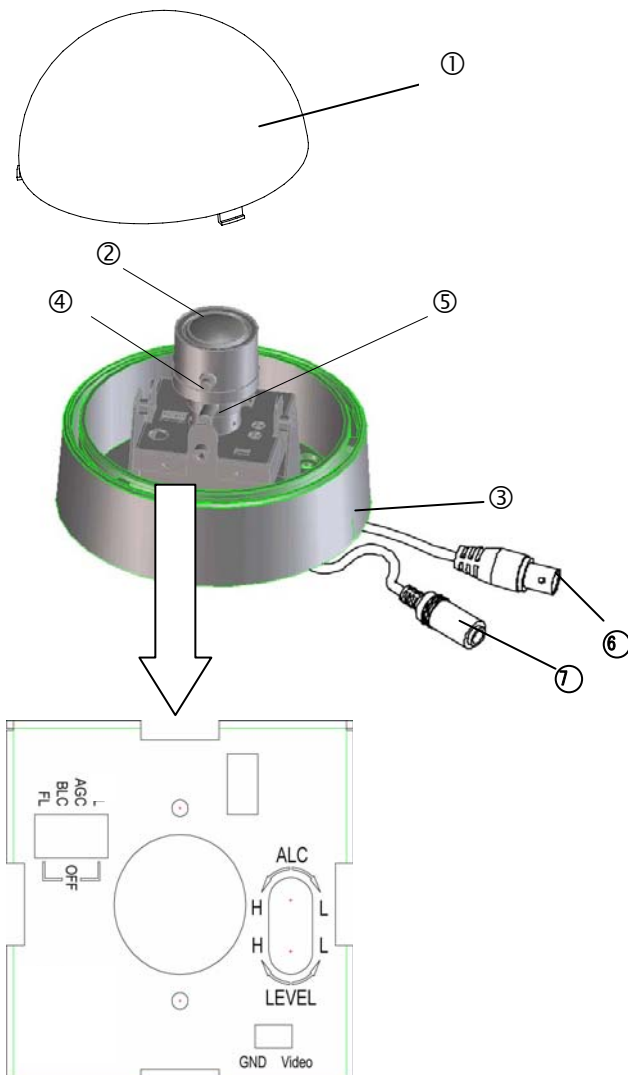
## SPECIFICATIONS

|                       |   |
|-----------------------|---|
| Pickup Device         | 1/3" SONY Super HAD CCD   |
| Video Format          | NTSC or PAL   |
| Scanning System       | NTSC: 525 TV lines, 60 fields/sec<br>PAL: 625 TV lines, 50 fields/sec   |
| Picture Elements      | 768 x 494(NTSC) ; 752 x 582(PAL)  |
| Horizontal Resolution | 560TVL  |
| Sensitivity           | 0.5Lux/F=1.2  |
| S/N Ratio             | Over 48dB(AGC off)  |
| Electronic Shutter    | 1/50(1/60)~1/100,000  |
| Lens Type             | Vari-focal lens, Auto Iris<br>f=2.9~10mm, F=1.2<br>f=3.8~9.5mm, F=1.2<br>f=9~22mm. F=1.6<br>*Lens models and availability vary in different regions |
| Back Light Comp.      | ON/OFF Switch   |
| Auto Gain Control     | ON/OFF Switch   |
| Flickerless           | ON/OFF Switch   |
| Auto White Balance    | Yes   |
| Gamma Correction      | 0.45  |
| Video Output          | 2 video outputs<br>BNC 1.0Vp-p, 75ohm<br>Additional testing video output 1.0Vp-p, 75ohm   |
| Sync. Mode            | Internal Sync   |
| Power Source          | 12VDC/24VAC   |
| Power Consumption     | 24VAC: 5VA max<br>12VDC: 3.5W max   |
| Dimensions            | 108(O.D.) x 80(H) mm ; 4.3"(O.D.) x 3.2"(H)   |
| Weight                | 0.3 kg ; 0.7lbs   |
| Operating Temperature | 0°C~40°C ; 32°F~104°F (20%~80% Humidity)  |
| Certifications        | FCC/CE  |

## DIMENSIONS



## MAJOR PARTS NAME & THEIR FUNCTIONS



**(1) Camera Cover**

This cover will protect the camera from dust and damage.

**(2) Lens**

This Vari-Focal Lens allows users to adjust the Zoom and Focus manually.

**(3) Base**

The camera unit is set in the dome base when it is shipped from the factory.

**(4) Focus Ring**

To set the focus, loosen the Focus ring knob first, then turn the ring toward <∞> or <N> as necessary. When the focus is obtained as desired, tighten the focus ring knob.

**(5) Zoom Ring**

Loosen the zoom ring knob, then you can adjust the viewing range. Turn the ring towards <W> for WIDE or <T> for TELE as necessary. When the setting is finished, tighten the zoom ring knob.

**(6) Power input**

Use the connector to connect with 12VDC/24VAC power adaptor.

**(7) Video Output BNC Connector**

Use the connector to connect with the video in connector of a monitor.

## **LENS ADJUSTMENT**

### **Zoom and focus adjustments**

After the camera was installed, the zoom and focus of the lens must be adjusted.

1. Loosen the zoom ring knob, and then turn the ring towards <W> or <T> as necessary to obtain the desired view range.

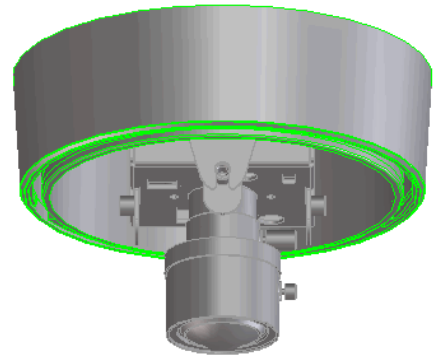
W side (Zoom out)

The viewing range will be wider and the subject is smaller.

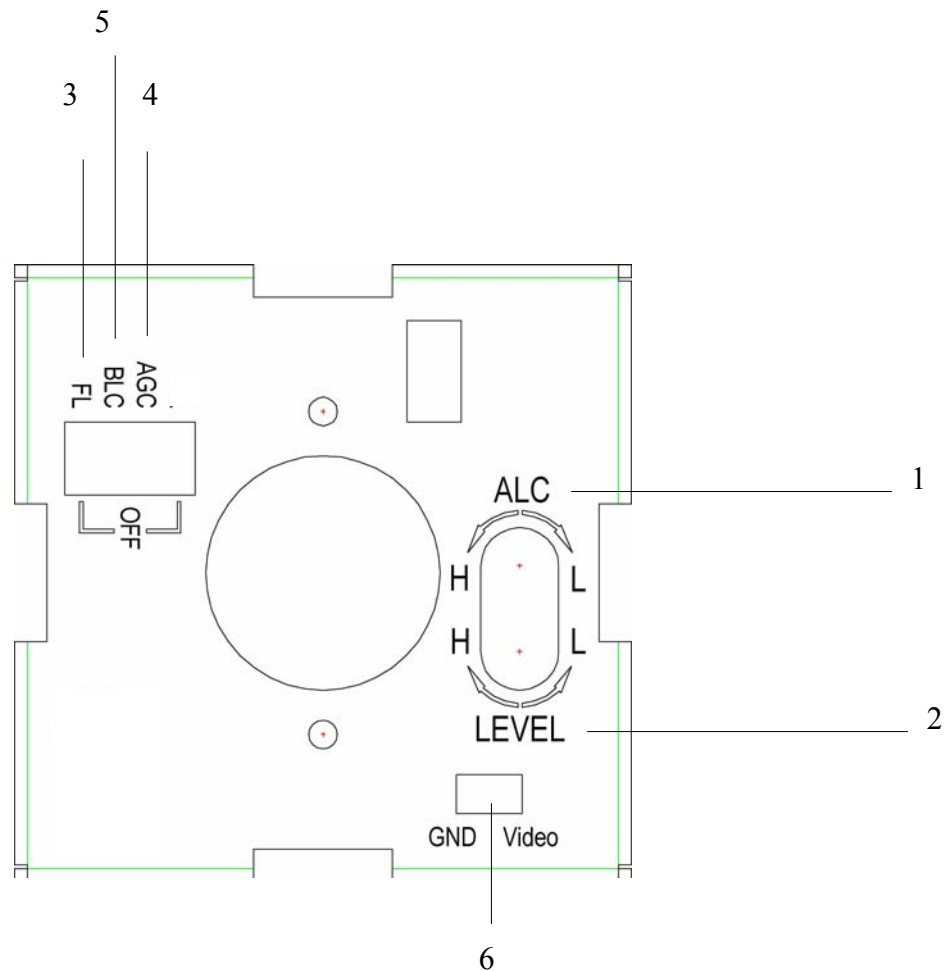
T side (Zoom in)

The viewing range will be smaller and the subject is larger.

2. Loosen the focus ring knob, then turn the ring towards < $\infty$ > or <N> as necessary to obtain the clear video image.
3. Repeat steps 1 and 2 until the best image is obtained. Once the lens setting finished, tighten the zoom ring and the focus ring knobs.



## ADJUSTMENTS



### (1) IRIS ALC Adjustment

To select light metering method:

- Turn the IRIS ALC Adjustment VR counterclockwise for Average Metering.
- Turn the IRIS ALC Adjustment VR clockwise for Peak Metering.

### (2) IRIS Level Adjustment

Brightness Level can be adjusted from the IRIS level VR while using the direct drive lens.

- Turn counterclockwise to L to get darker picture.
- Turn clockwise to H to get brighter picture.

**(3) Flickerless**

When picture flicker fiercely, turn FL on, then the camera will stabilize the speed of electronic shutter at 1/100(NTSC) or 1/120(PAL) automatically, and reduce the flicker immediately.

The default setting is OFF.

**(4) Auto Gain Control Adjustment**

**AGC ON:** The sensitivity increases automatically when the light is low.

**AGC OFF:** A low-noise picture is obtained under a low light condition.

**(5) Back Light Compensation Adjustment**

When the background of the subject is very bright and the subject itself is dark, set the BLC (Back Light Compensation) ON. The BLC will measure the light of the image center and the lens iris will automatically set for optimum image quality.

**(6) Ground Pin**

For monitor use. When setting up the camera, connect a monitor to this video output pin and to the GROUND pin using alligator clip cables, then use the image displayed on the monitor, set the surveillance angle.



## **INSTALLATION**

1. Remove the plastic dome cover.
2. Loosen the two screws of the supporting bracket to remove the camera body.
3. Use four screws to fix the camera base on the ceiling.
4. Put the camera body back to the supporting bracket, then tighten the two screws to fix the camera.
5. Connect the BNC connector of the camera to a color monitor, or other video device through a 75 ohm type coaxial cable with BNC female connector at cable extension.
6. Connect the 12VDC/24VAC regulated power source of the camera.
7. Connect the audio output connector of the camera (model High Resolution Dome A) to the audio in connector of the monitor.

**NOTE:** Be very careful not to scratch or damage the lens while making any kind of setting.

# ***EverFocus Electronics Corp.***

## **Head Office:**

12F, No.79 Sec. 1 Shin-Tai Wu Road,  
Hsi-Chih, Taipei, Taiwan  
TEL: +886-2-26982334  
FAX: +886-2-26982380  
[www.everfocus.com.tw](http://www.everfocus.com.tw)

## **USA L.A. Office:**

1801 Highland Ave. Unit A  
Duarte, CA 91010, U.S.A.  
TEL: +1-626-844-8888  
FAX: +1-626-844-8838  
[www.everfocus.com](http://www.everfocus.com)

## **USA N.Y. Office:**

415 Oser Avenue Unit S  
Hauppauge, NY 11788  
TEL: 631-436-5070  
FAX: 631-436-5027  
[www.everfocus.com](http://www.everfocus.com)

## **Europe Office:**

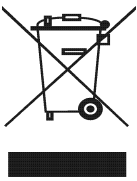
Albert-Einstein-Strasse 1  
D-46446 Emmerich, Germany  
TEL: 49-2822-9394-0  
[www.everfocus.de](http://www.everfocus.de)

## **China Office:**

Room B-05D-1, KESHI PLAZA , Shangdi  
Information Industry Base,  
Haidian District, Beijing China  
100085  
TEL: +86-10-62973336/37/38/39  
FAX: +86-10-62971423  
[www.everfocus.com.cn](http://www.everfocus.com.cn)

## **Japan Office:**

1809 WBG MARIBU East 18F,  
2-6 Nakase.Mihama-ku.  
Chiba city 261-7118, Japan  
TEL: +81-43-212-8188  
FAX: +81-43-297-0081  
[www.everfocus.com](http://www.everfocus.com)

|   |  |  |
|---|--|--|
|  | <p>Your EverFocus product is designed and manufactured with high quality materials and components which can be recycled and reused.<br/>This symbol means that electrical and electronic equipment, at their end-of-life, should be disposed of separately from your household waste.<br/>Please, dispose of this equipment at your local community waste collection/recycling centre.<br/>In the European Union there are separate collection systems for used electrical and electronic product.<br/>Please, help us to conserve the environment we live in!</p> | <p>Ihr EverFocus Produkt wurde entwickelt und hergestellt mit qualitativ hochwertigen Materialien und Komponenten, die recycelt und wieder verwendet werden können.<br/>Dieses Symbol bedeutet, dass elektrische und elektronische Geräte am Ende ihrer Nutzungsdauer vom Hausmüll getrennt entsorgt werden sollen.<br/>Bitte entsorgen Sie dieses Gerät bei Ihrer örtlichen kommunalen Sammelstelle oder im Recycling Centre.<br/>Helfen Sie uns bitte, die Umwelt zu erhalten, in der wir leben!</p> |
|---|--|--|



P/N: MED3G03000\_Ver.B